

REVISIONS				
REV	DATE	DESCRIPTION	BY	APPV
B	05FEB2024	REVISED PER PCN-23-192205	RK	CB
B1	21MAY2024	REVISED PER PCN-24-210159	PS	CB
B2	16AUG2024	REVISED PER PCN-24-220401	GB	CB
B3	08SEP2025	REVISED PER PCN-25-254987	AP	AJ

FIGURE 1

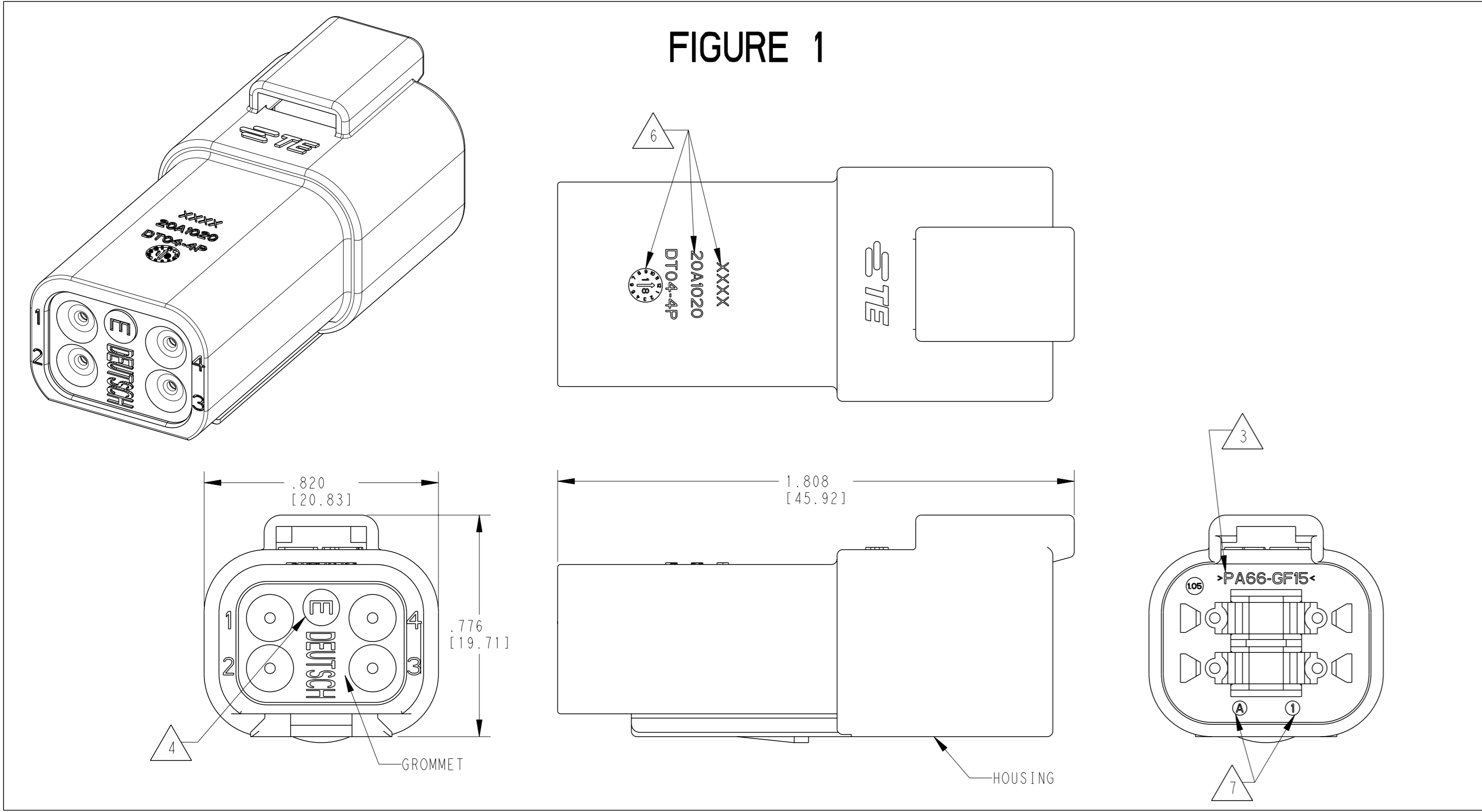


FIGURE 2 SHORT CAP

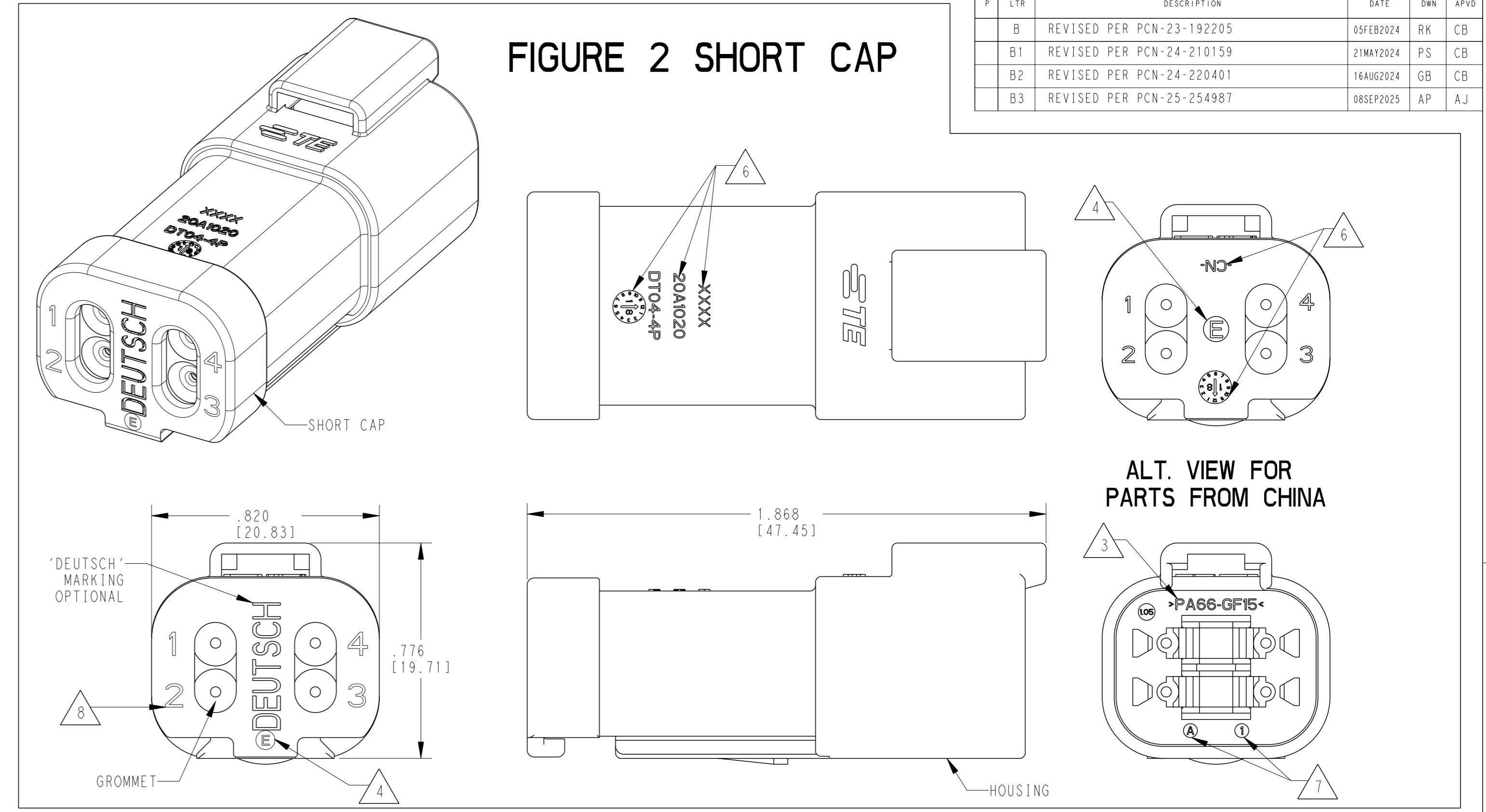
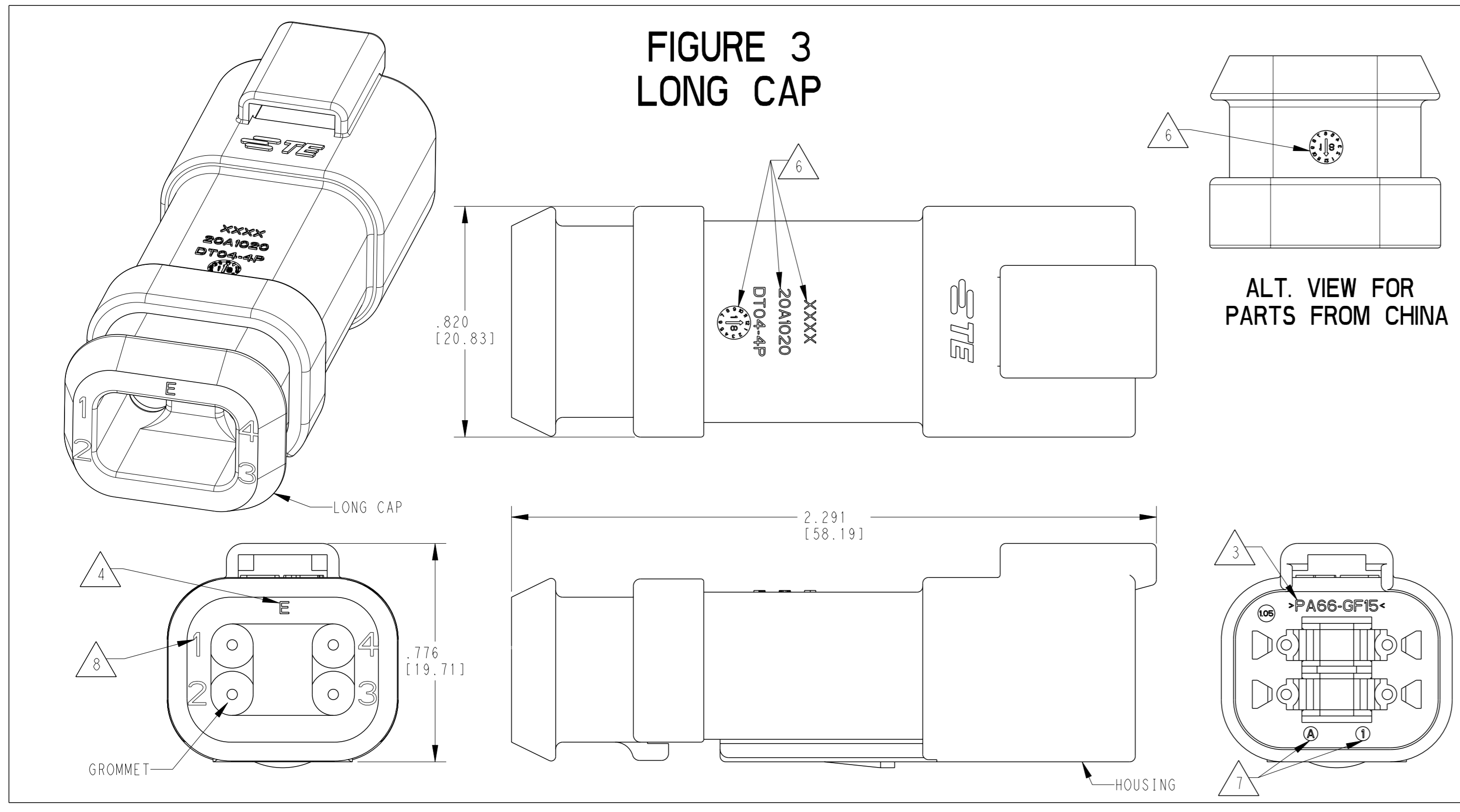
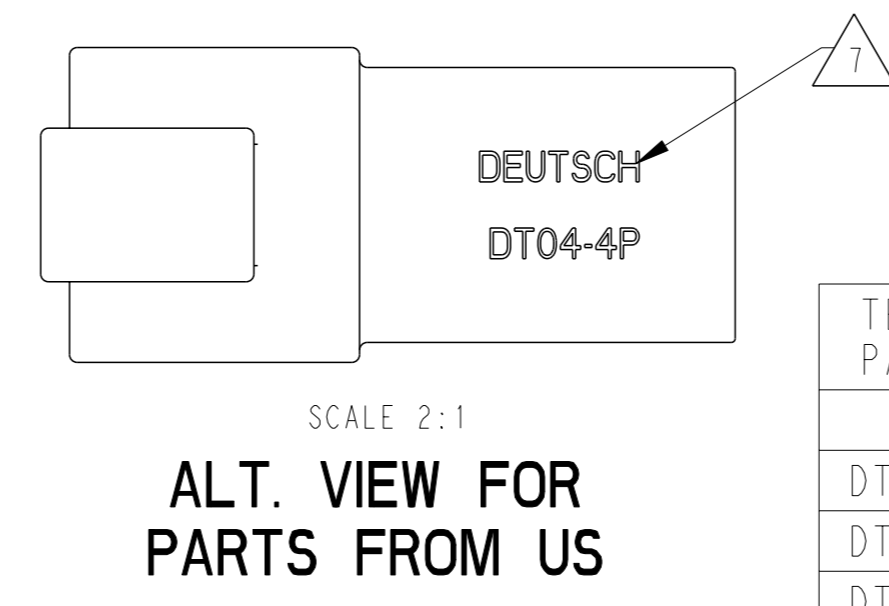


FIGURE 3 LONG CAP

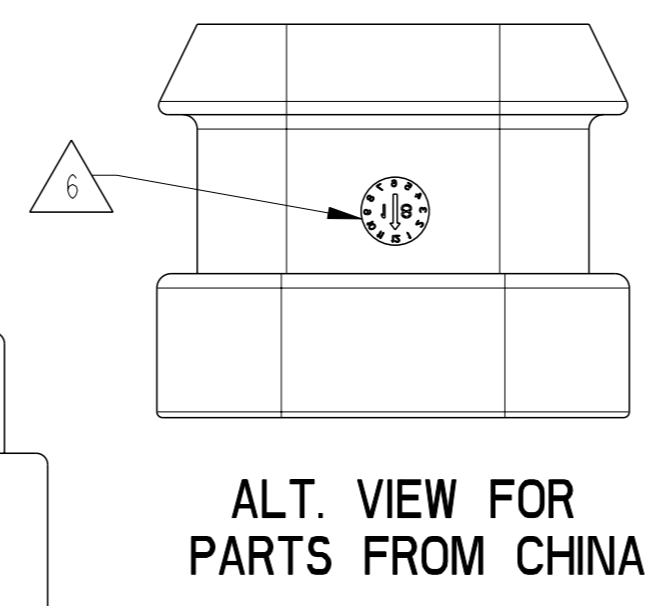


CONTACT SIZE	WIRE RANGE	INSULATION OD SEALING RANGE	SEAL IDENTIFICATION
16	14-20 AWG [2.5-0.5mm ²]	.088 - .145 [2.23-3.68] .053 - .120 [1.35-3.05]	STANDARD SEAL EXTRA THIN SEAL E-SEAL

TE INTERNAL PART NUMBER	DEUTSCH PART NUMBER	PN REV	HOUSING COLOR	STANDARD SEAL	EXTRA THIN SEAL E-SEAL	BLOCKED SEAL	SHORT CAP	LONG CAP	FIGURE
DT04-4P	DT04-4P	A	GRAY	X					1
DT04-4P-C015	DT04-C015	B	GRAY		X				1
DT04-4P-C017	DT04-4P-C017	C	GRAY			X	X		2
DT04-4P-CE01	DT04-4P-CE01	C	GRAY		X		X		2
DT04-4P-CE02	DT04-4P-CE02	B	BLACK		X				1
DT04-4P-CE03	DT04-4P-CE03	B	BLACK		X		X		2
DT04-4P-CE04	DT04-4P-CE04	C	GRAY		X			X	3
DT04-4P-CE09	DT04-4P-CE09	B	BLACK		X			X	3
DT04-4P-CE26	DT04-4P-CE26	A	BLACK			X	X		2
DT04-4P-E003	DT04-4P-E003	B	GRAY	X			X		2
DT04-4P-E004	DT04-4P-E004	A	BLACK	X					1
DT04-4P-E005	DT04-4P-E005	A	BLACK	X			X		2
DT04-4P-E008	DT04-4P-E008	C	GRAY	X				X	3
DT04-4P-EE01	DT04-4P-EE01	A	BLACK	X				X	3
DT04-4P-EP04	DT04-4P-EP04	C	GRAY	X			X		2
DT04-4P-P004	DT04-4P-P004	B	GRAY	X					1
1-2448112-1	DT04-4P-TE09	A	BROWN		X				1
1-2448112-2	DT04-4P-TE03	A	GREEN		X				1
1-2448112-3	DT04-4P-TE07	A	BLUE		X				1
2-2448112-1	DT04-4P-TN09	A	BROWN	X					1
2-2448112-2	DT04-4P-TN03	A	GREEN	X					1
2-2448112-3	DT04-4P-TN07	A	BLUE	X					1
3-2448112-1	DT04-4P-EE18	A	BROWN		X		X		2
3-2448112-2	DT04-4P-EE16	A	GREEN		X		X		2
3-2448112-3	DT04-4P-EE17	A	BLUE		X		X		2
4-2448112-1	DT04-4P-EE14	A	BROWN	X			X		2
4-2448112-2	DT04-4P-EE13	A	GREEN	X			X		2
4-2448112-3	DT04-4P-EE06	A	BLUE	X			X		2



SCALE 2:1
ALT. VIEW FOR PARTS FROM US



ALT. VIEW FOR PARTS FROM CHINA

- 4. "E" IDENTIFIES E-SEAL, LOCATED APPROX. AS SHOWN.
- 3. MATERIAL: HOUSING: PA66 GF15, SEE TABLE FOR COLOR SHORT, LONG CAP: PA66 GF15, BLACK GROMMET: E-SEAL VMQ (BURNT RED) N-SEAL VMQ (RED-ORANGE) BLOCKED VMQ (RED-ORANGE)
- 2. THIS RECEPTACLE MATES WITH DT06-4S-XXXX PLUG (XXXX = ALL MODIFICATIONS)
- 1. SECONDARY WEDGE LOCK SOLD SEPARATELY: W4PX-XXXX. (X = A,B,C,D KEY, XXXX = ALL MODIFICATIONS)

- 6. MARKING FOR PARTS PRODUCED IN CHINA:
 - XXXX IDENTIFIES THE MODIFICATION NUMBER, IF APPLICABLE. EXAMPLE: "E003" FOR DT04-4P-E003, OR BLANK FOR DT04-4P
 - DATE CODE: IDENTIFIES THE YEAR, MONTH, DAY AND HOUR OF ASSEMBLY. YEAR: FIRST AND SECOND DIGIT. (17 = 2017) MONTH: THIRD DIGIT, EXCLUDING 1. A = JAN, B = FEB, C = MARCH ... (K = OCTOBER) DAY: FOURTH AND FIFTH DIGITS (14 = 14th DAY) HOUR: SIXTH AND SEVENTH DIGITS (11 = 11AM)
 - DIAL DATE CODE LOCATED ON HOUSING AND/OR CAP.
 - CN LOCATED ON HOUSING AND/OR CAP.

- 9. FOR ALL ID MARKINGS SURROUNDING THE PART, ORIENTATION IS SHOWN FOR REFERENCE ONLY AND DOES NOT AFFECT FUNCTIONALITY PROVIDED THE MARKINGS ARE IN THE CORRECT POSITION. SIZE AND LOCATION ARE APPROXIMATE, AS SHOWN.
- 5. FOR CONTACT AND WIRE PERFORMANCE AND APPLICATION CHARACTERISTICS SEE CUSTOMER DRAWING 0425-015-0000.
- 8. BLOCKED SEAL CONNECTORS (EXAMPLE: C017) WILL NOT HAVE THE TERMINAL CAVITY IDENTIFICATION MARKINGS ON THEIR CAPS.
- 7. MARKING FOR PARTS PRODUCED IN US:
 - DATE CODE: YEAR TO BE LAST NUMERICAL DIGIT, EX: 1 = 2021 MONTH USES SEQUENTIAL ALPHA CHARACTERS, EX: A = JANUARY -DEUTSCH

THIS DRAWING IS A CONTROLLED DOCUMENT.

OWN: A. POLO 14DEC2021	CHK: R. MESSENGER 14DEC2021	APV: J. GRANICHAROVA 14DEC2021
NAME: 4 WAY RECEPTACLE, STANDARD SEAL EXTRA THIN SEAL, SHORT AND LONG CAP, DT SERIES		
SIZE: 108-151009 APPLICATION SPEC		
MATERIAL: 114-151009		
WEIGHT: 114-151009		
CUSTOMER DRAWING		

TE Connectivity

4FAU8 ©=DT04-4P-XXXX

SCALE 3:1 SHEET 1 OF 1 REV B3