
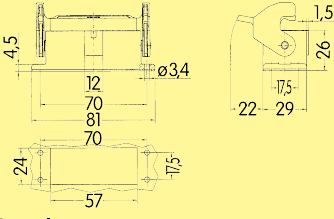

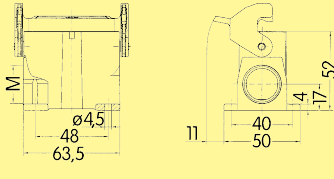

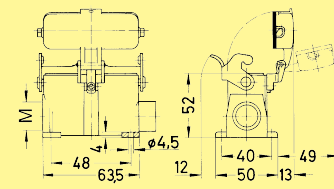

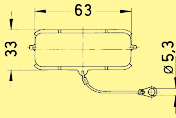


Metal hoods/housings for industrial applications / 1 lever locking system

Identification	Part number		Cable entry metric	Drawing	Dimensions in mm
	Low construction	High construction			
Hoods side entry	<b>19 20 010 1540</b>		1 x 20		
side entry		<b>19 20 010 0546</b>	1 x 25		
Hoods top entry	<b>19 20 010 1440</b>		1 x 20		
top entry		<b>19 20 010 0446</b>	1 x 25		
Protection covers	<b>metal</b> <b>09 20 010 5423</b>	<b>metal</b> <b>09 20 010 5423</b>			

Han Hoods  
Housings

Metal hoods/housings for industrial applications / 1 lever locking system

Identification	Part number		Cable entry metric	Drawing	Dimensions in mm
	Low construction	High construction			
Housings, bulkhead mounting 					 <p>Panel cut out</p>
Housings, surface mounting side entry 					
side entry 					
Protection covers 					

1) only metal glands

Stock items in bold type

Hoods/Housings for higher EMC requirements / 1 lever locking system

Identification		Part number	Cable entry metric	Drawing	Dimensions in mm
Hoods side entry		19 62 015 0546	1 x 25		
Hoods top entry		19 62 015 0446	1 x 25		

Hoods/Housings for higher EMC requirements / 1 lever locking system


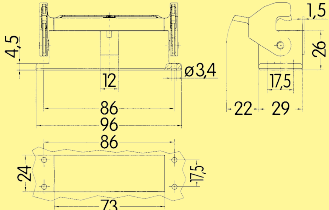

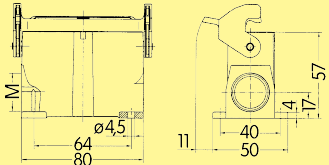

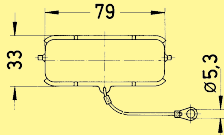
Identification		Part number	Cable entry metric	Drawing	Dimensions in mm
Housings, bulkhead mounting		09 62 015 0301			Panel cut out

Han Hoods  
Housings

Metal hoods/housings for industrial applications / 1 lever locking system

Identification	Part number		Cable entry metric	Drawing	Dimensions in mm
	Low construction	High construction			
Hoods side entry		<b>19 20 016 1540</b>	1 x 20		79,5 x 61,5
Hoods top entry		<b>19 20 016 1440</b>	1 x 20		79,5 x 47
Protection covers		metal 09 20 016 5423	metal 09 20 016 5423		


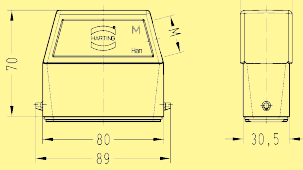

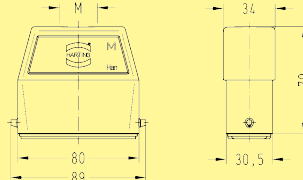
Metal hoods/housings for industrial applications / 1 lever locking system

Identification	Part number		Cable entry metric	Drawing	Dimensions in mm
	Low construction	High construction			
Housings, bulkhead mounting 	<b>09 20 016 0301</b> with thermo- plastic cover <b>09 20 016 0321</b>			 <p>Panel cut out</p>	
Housings, surface mounting side entry 	<b>19 20 016 0251<sup>1)</sup></b> <b>19 20 016 0290</b> <b>19 20 016 0291</b> with thermo- plastic cover <b>19 20 016 0295</b>		1 x 25 2 x 20 2 x 25  2 x 20		
Protection covers 	metal <b>09 20 016 5425</b>				


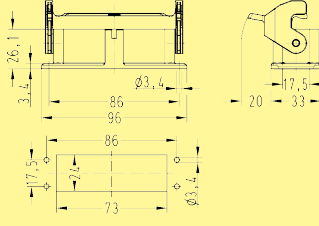
Han Hoods  
Housings

<sup>1)</sup> only metal glands

Hoods/Housings for higher EMC requirements / 1 lever locking system

Identification		Part number	Cable entry metric	Drawing	Dimensions in mm
Hoods side entry		19 62 025 0546	1 x 25		
Hoods top entry		19 62 025 0446	1 x 25		

Hoods/Housings for higher EMC requirements / 1 lever locking system

Identification		Part number	Cable entry metric	Drawing	Dimensions in mm
Housings, bulkhead mounting		09 62 025 0301		 Panel cut out	

Metal hoods/housings for industrial applications / 2 lever locking system

Identification	Part number		Cable entry metric	Drawing	Dimensions in mm
	Low construction	High construction			
Hoods side entry	19 20 032 1521		1 x 25		
Hoods side entry			19 20 032 0527	1 x 32	
Hoods top entry		19 20 032 0426 19 20 032 0427	1 x 25 1 x 32		
Dust protection cover	09 20 032 5401	09 20 032 5401			



Metal hoods/housings for industrial applications / 2 lever locking system

Identification	Part number		Cable entry metric	Drawing	Dimensions in mm
	Low construction	High construction			
Housings, bulkhead mounting	09 20 032 0301				
Housings, surface mounting					
Housings, surface mounting side entry		19 20 032 0231 19 20 032 0232 19 20 032 0272	1 x 25 1 x 32 2 x 32		

Han Hoods  
Housings

\* usable for two inserts of size 16 A  
Stock items in bold type

Metal hoods/housings for industrial applications / 2 lever locking system

Identification	Part number		Cable entry metric	Drawing	Dimensions in mm
	Low construction	High construction			
Dust protection cover 	09 20 032 5405	09 20 032 5405			

\* usable for two inserts of size 16 A  
Stock items in bold type



Metal hoods/housings for industrial applications / 2 lever locking system

Identification	Part number		Cable entry metric	Drawing	Dimensions in mm
	Low construction	High construction			
Hoods side entry	19 20 032 1531		1 x 25		
Hoods side entry				19 20 032 0537	1 x 32
Hoods top entry		19 20 032 0437	1 x 32		


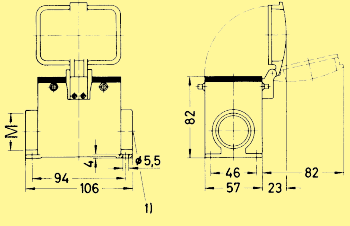
Metal hoods/housings for industrial applications / 2 lever locking system

Identification	Part number		Cable entry metric	Drawing	Dimensions in mm
	Low construction	High construction			
Housings, bulkhead mounting	with thermo- plastic cover 09 20 032 0302				
				Panel cut out	

Han Hoods  
Housings

\* usable for two inserts of size 16 A  
Stock items in bold type

Metal hoods/housings for industrial applications / 2 lever locking system

Identification	Part number		Cable entry metric	Drawing	Dimensions in mm
	Low construction	High construction			
Housings, surface mounting side entry 		with thermo-plastic cover 19 20 032 0226	1 x 25	 <p>1) Blind way for one cable entry</p>	